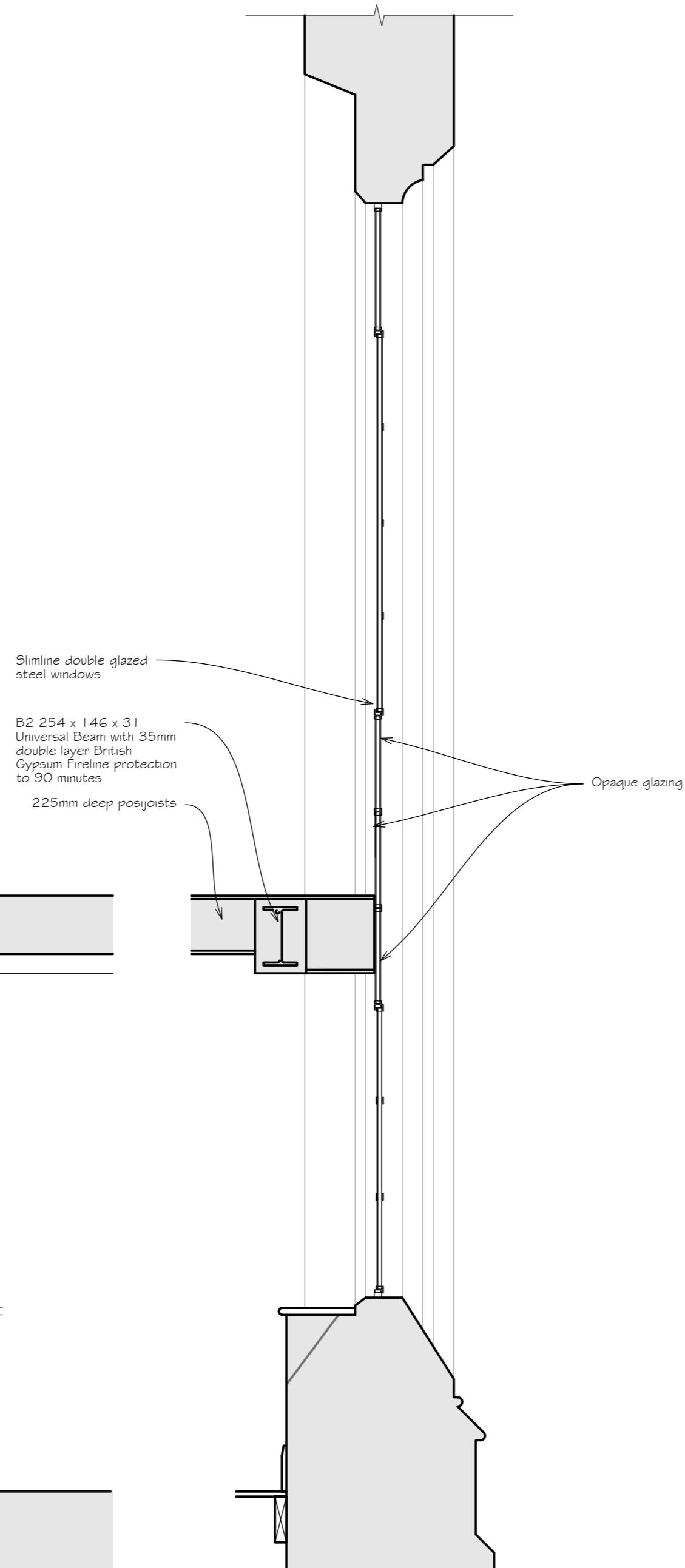
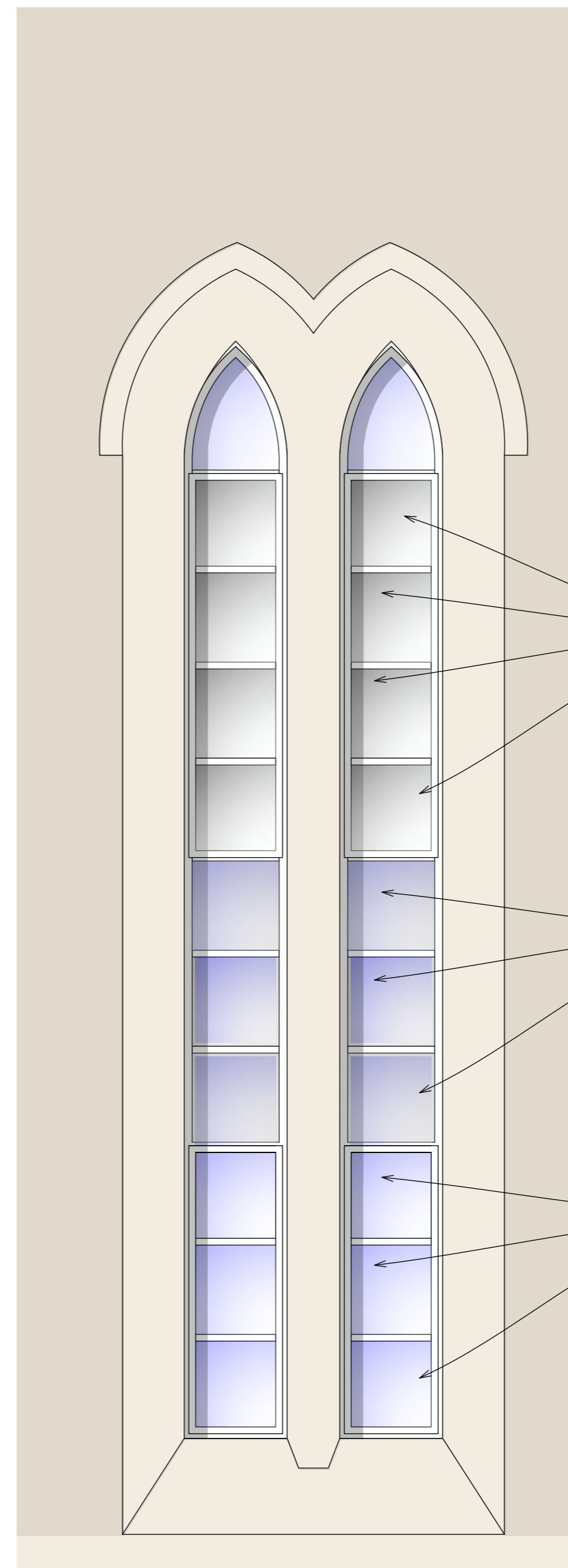


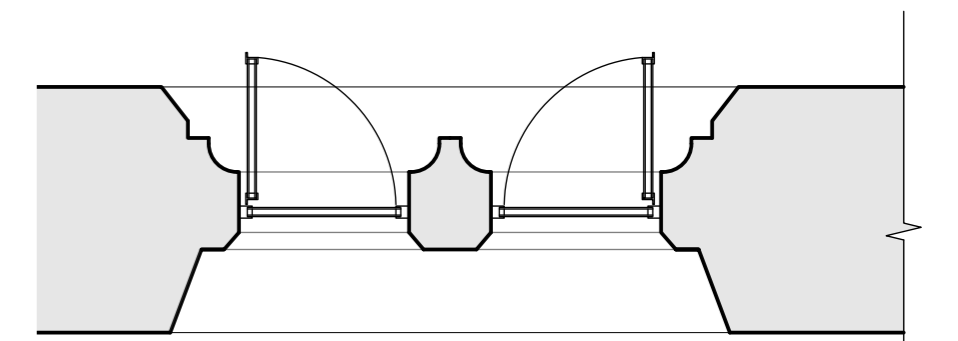
INTERNAL ELEVATION



SECTION



EXTERNAL ELEVATION

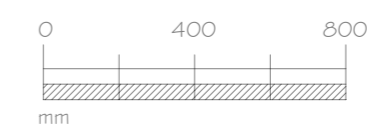


CROSS SECTION - OPENING LIGHTS

clear glazing

Opaque glazing

Tinted/stained glazing



Rev Date Notes



TOWN AND COUNTRY PLANNING DEVELOPMENT CONSULTANTS

LPC (TRULL) LTD., TRULL, TETBURY, GLOUCESTERSHIRE GL6 8SQ
Tel: 01285 841433 email: admin@lpc-trull.com

Client: Mr A Brown
Project: ST PAUL'S CHURCH COMMERCIAL STREET NEWPORT NP20 1LU

Drawing: WINDOW DETAILS

Date: September 2024 Scale: 1:20 @ A2
Drawing Number: LPC 4673 PR 11