

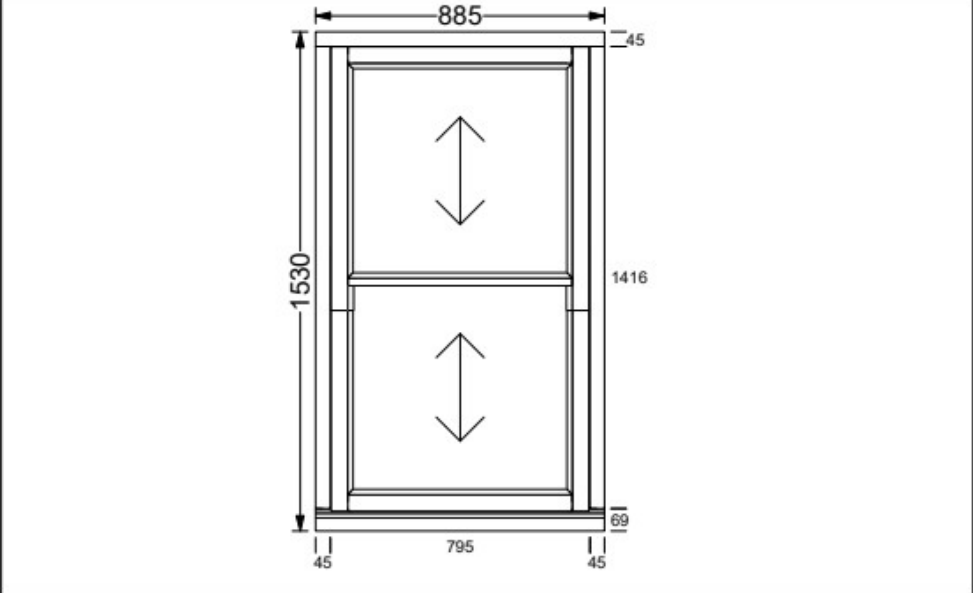
Usk Valley Joinery Ltd

SS1

Client Dave Palmer
Job Number 1818

Description W1, 2a, 2b, 3
 Solid Frame for spiral balance 164 x 45
 With Decorative horns - 24mm DGU
 Timber Type: Accoya
 Spring Balances - Brass Fittings
 Teknos Coloured Coating 3 Coat System Colour to be agreed

Type S1D
Width 885
Height 1530
Qty. 4
Hours 53 : 52
Georgian style 1
Mortices in rebates



Usk Valley Joinery Ltd

SS2

Client Dave Palmer
Job Number 1818

Description W4, 5a, 5b, 6
 Solid Frame for spiral balance 164 x 45
 With Decorative horns - 24mm DGU
 Timber Type: Accoya
 Spring Balances - Brass Fittings
 Teknos Coloured Coating 3 Coat System Colour to be agreed

Type S1D
Width 885
Height 1960
Qty. 4
Hours 57 : 00
Georgian style 1
Mortices in rebates

