

INSIDE ELEVATION
OUTSIDE ELEVATION
SINGLE GATE IN CLOSE BOARDED TIMBER FENCE



TYPE A: CLOSE BOARDED TIMBER FENCE _ 1800MM HIGH

PLAN KEY REFERENCE

FIG 1 - WALL PRIOR TO PLANTING

FIG 2 - WALL POST PLANTING

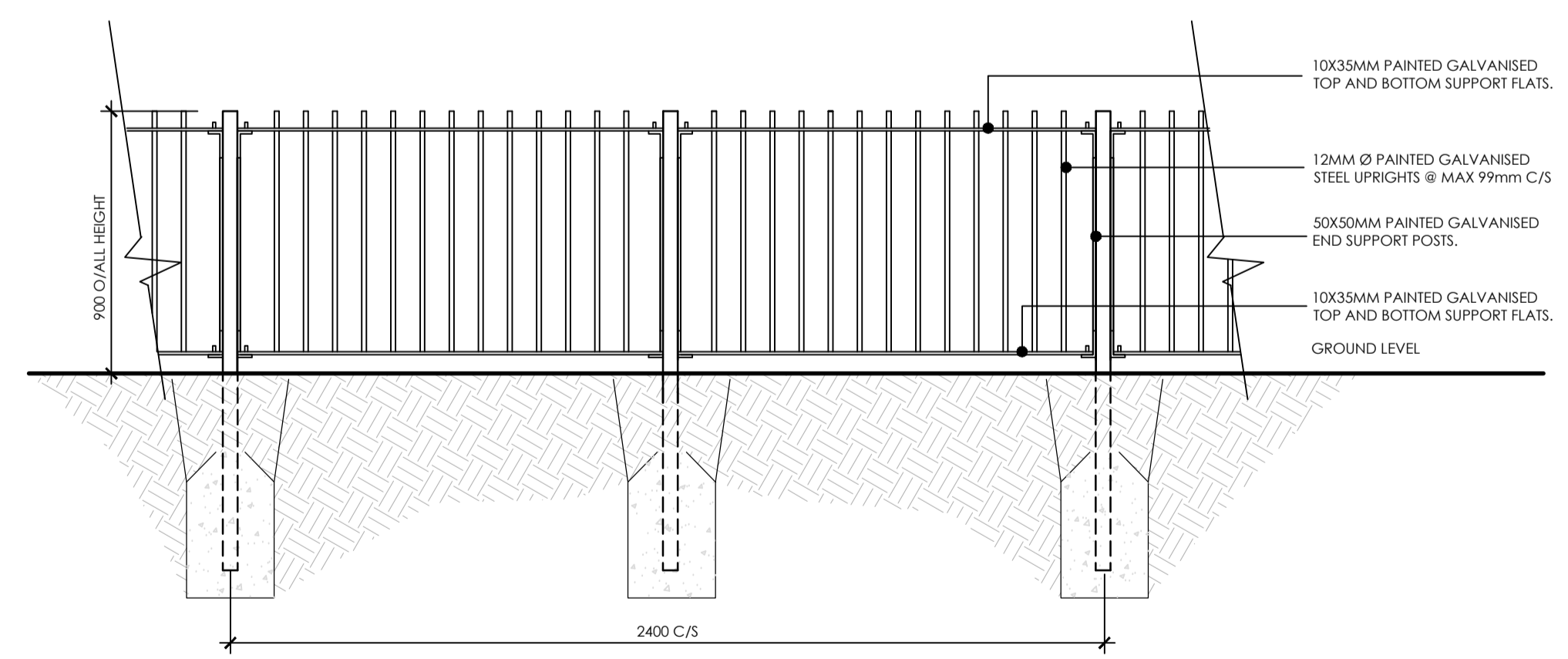
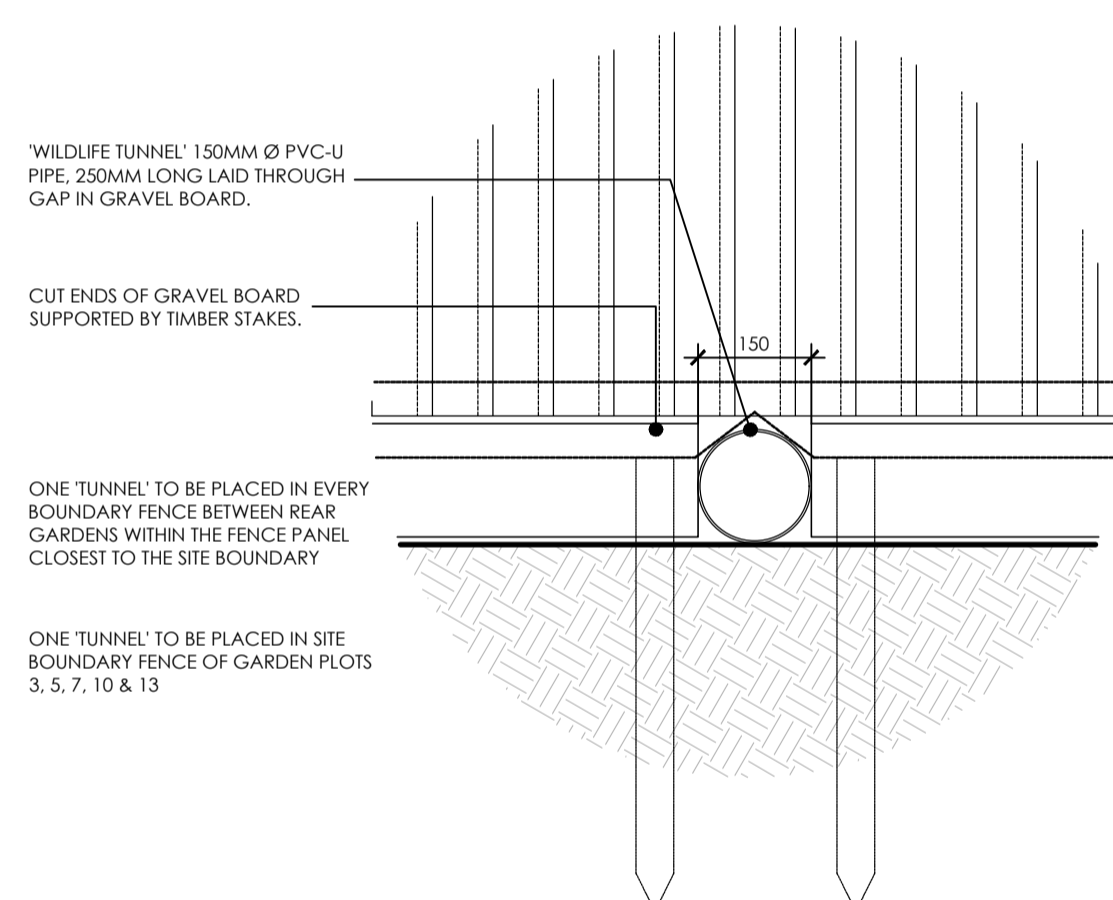


TYPE B: BIODIVERSITY HEMP ECOLOGICAL FENCE - 1800mm HIGH

PLAN KEY REFERENCE

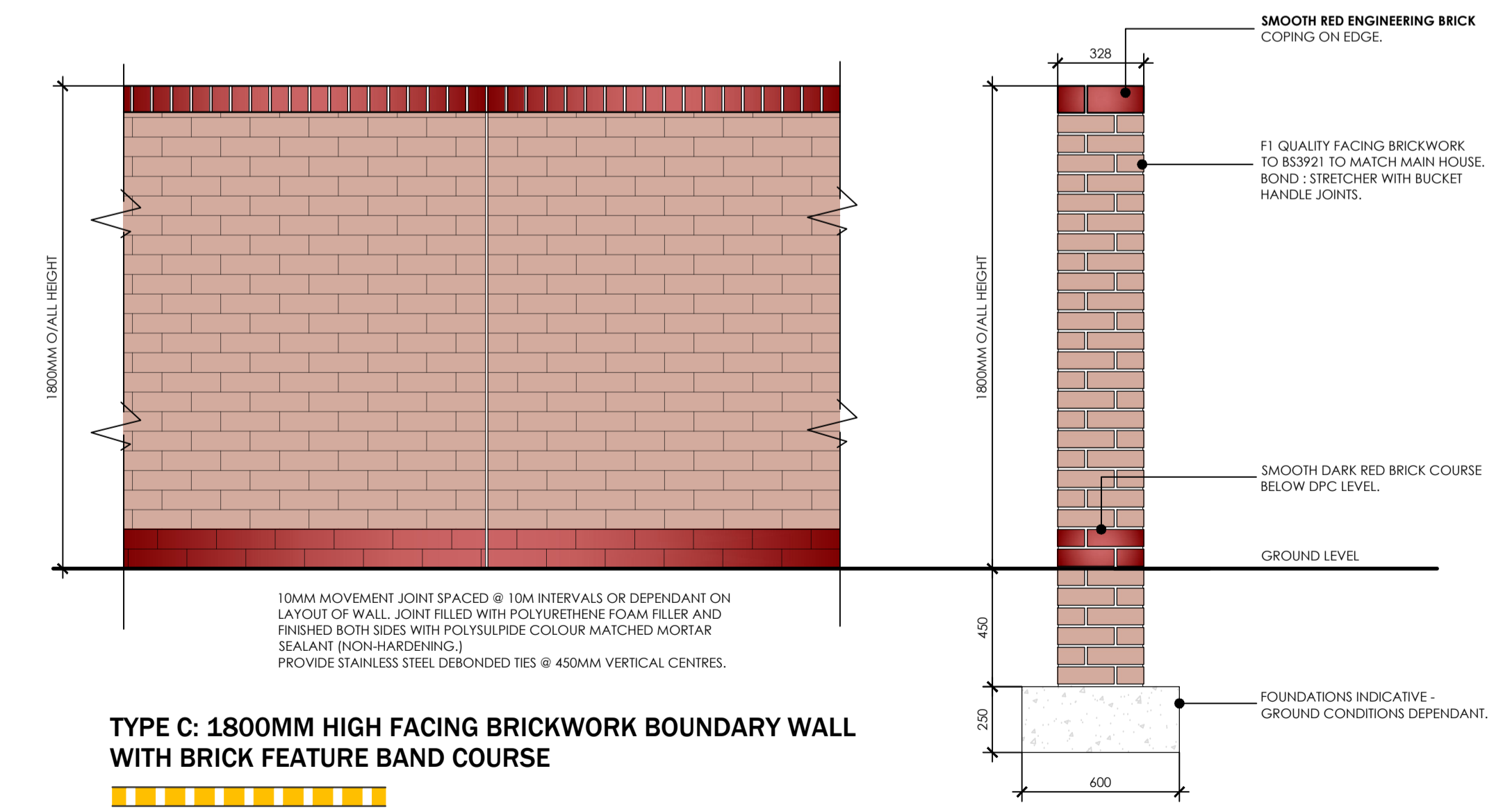
'WILDLIFE TUNNEL' 1:10

PLAN KEY REFERENCE



TYPE B: 900mm HIGH RAILINGS [Colour Black]

PLAN KEY REFERENCE

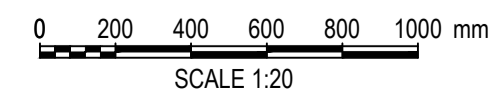


TYPE C: 1800MM HIGH FACING BRICKWORK BOUNDARY WALL WITH BRICK FEATURE BAND COURSE

PLAN KEY REFERENCE

BOUNDARY TREATMENTS

Scale: 1:20



Do not scale from this drawing. The users of this drawing shall check all dimensions for errors and omissions to the design. This drawing is copyright. It must not be reproduced or used in any way without the prior permission of LeTrucco Design.

Revisions

REV. A	NOV 24	HEMP PLANTING WALL DETAILS ADDED
--------	--------	----------------------------------

Revision	Scale	Drawing No	Client
A	1:20 @ A1	LT2413.04.04	Wellspring / BronAfon HA
Checked	Date	Drawing Title	Job Title
kpc	Nov 24	Boundary Details	Traston Lane, Newport

Drawing Purpose
PLANNING

Suite 7, 35 Stow Park Circle
Newport, NP20 4HF
Tel: 07710390800 / 07710390801
info@letruccodesign.co.uk
www.letruccodesign.co.uk