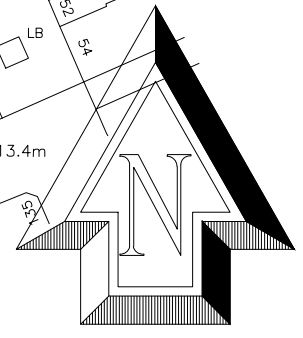
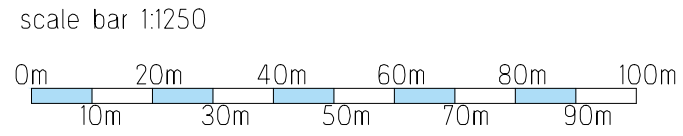


- notes.
1. This drawing is for the purpose of planning permission only unless noted otherwise
  2. This drawing could be subject to amendments until the relevant permissions have been granted. Please ask if unsure before commencing works on site.
  3. Dimensions are shown in millimeters
  4. This drawing is copyright. All rights reserved.
  5. Scale this drawing only for planning permission purposes. Dimensions to be checked on site.



email: info@mbdesignas.com  
 web: www.mbdesignas.com

SITE LOCATION PLAN

DRAWING NO. PP/001	REVISION. 0	CLIENT: Claire Peters	SITE ADDRESS: 25 Charles Street Newport NP20 1JT	PROJECT DESCRIPTION: Change use of 1st and 2nd floors to 2 no. flats	SCALE: 1:1250 A3	DATE: April 2025
-----------------------	----------------	--------------------------	---	---	---------------------	---------------------