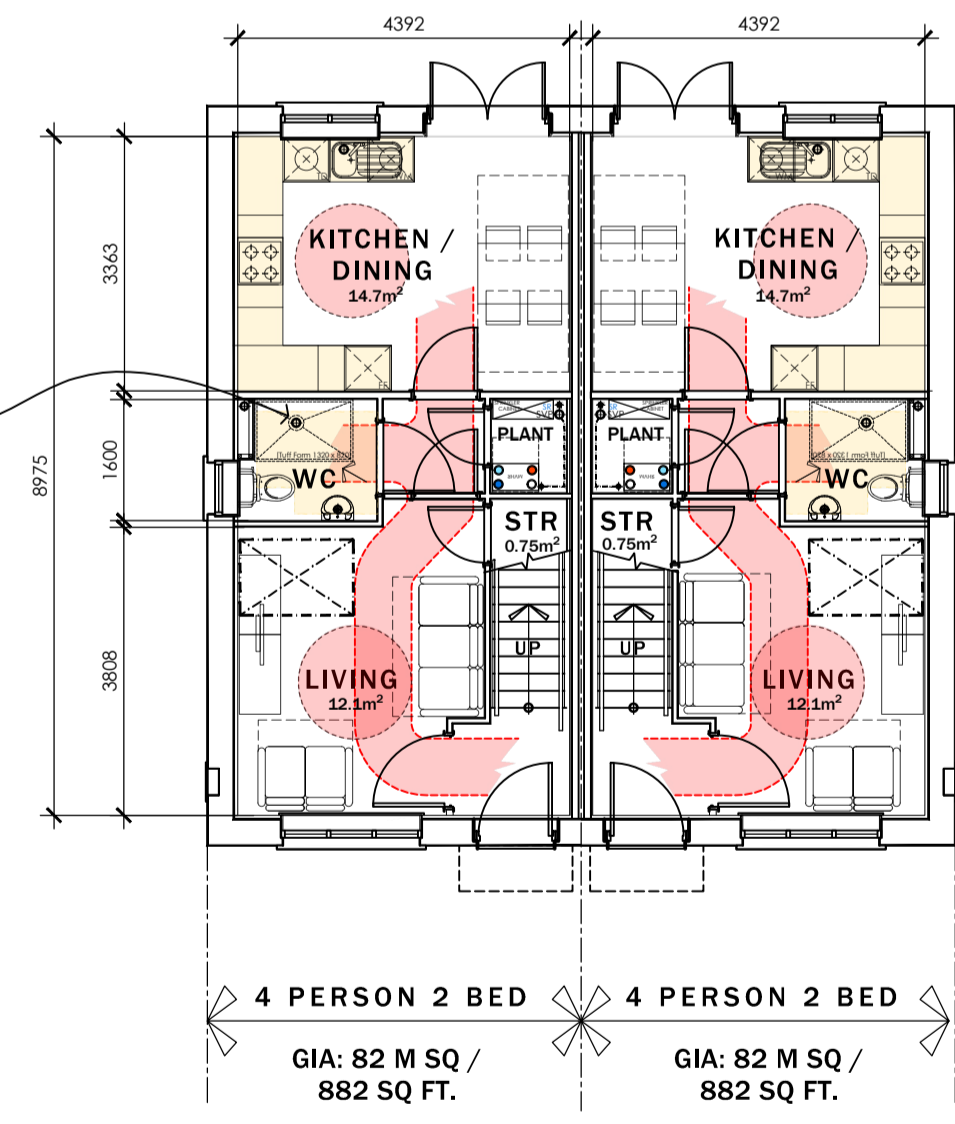
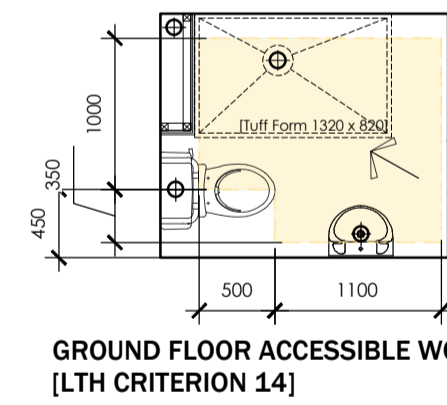


FIRST FLOOR PLAN



GROUND FLOOR PLAN

STORAGE SCHEDULE

4P2B HOUSE TYPE 1

GROUND FLOOR:

STORE:	0.98M ²
US STAIRS:	1.40M ²

FIRST FLOOR:

AC:	0.95M ²
STORE:	1.06M ²

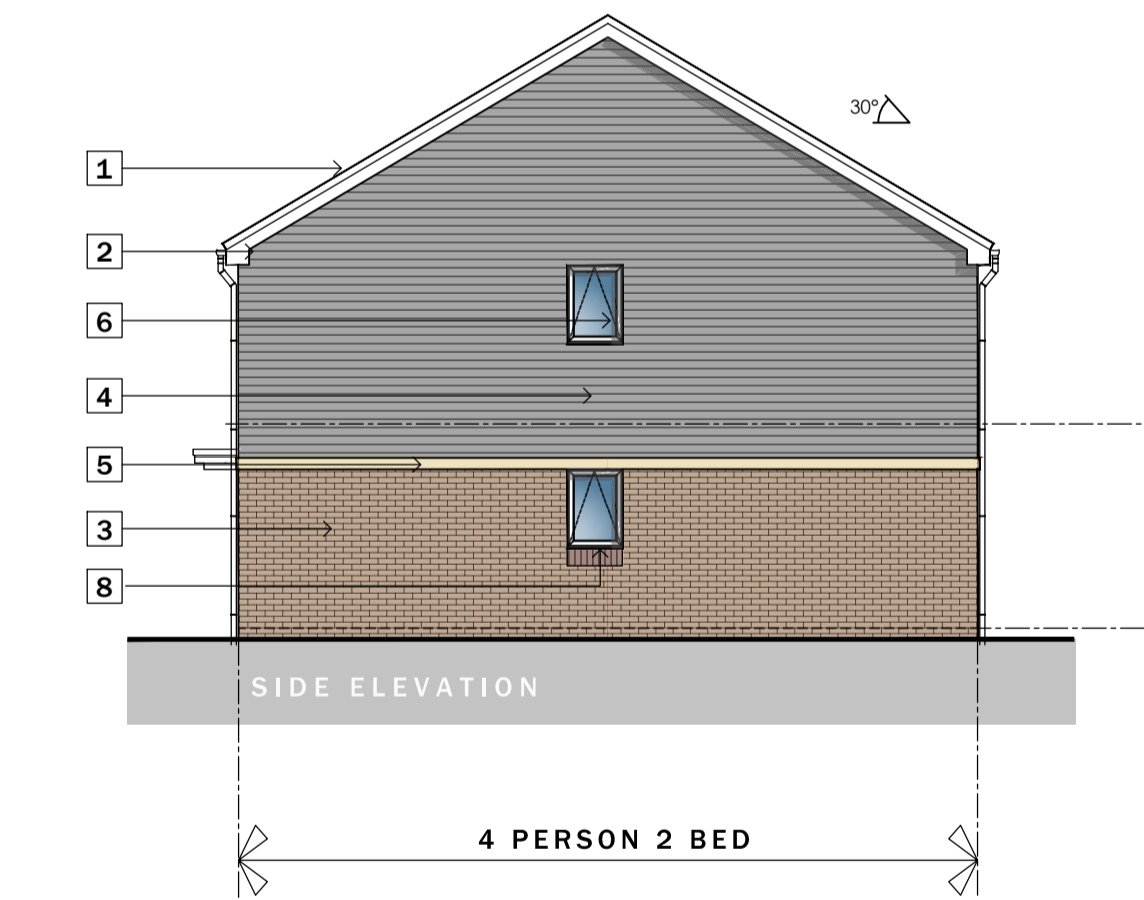
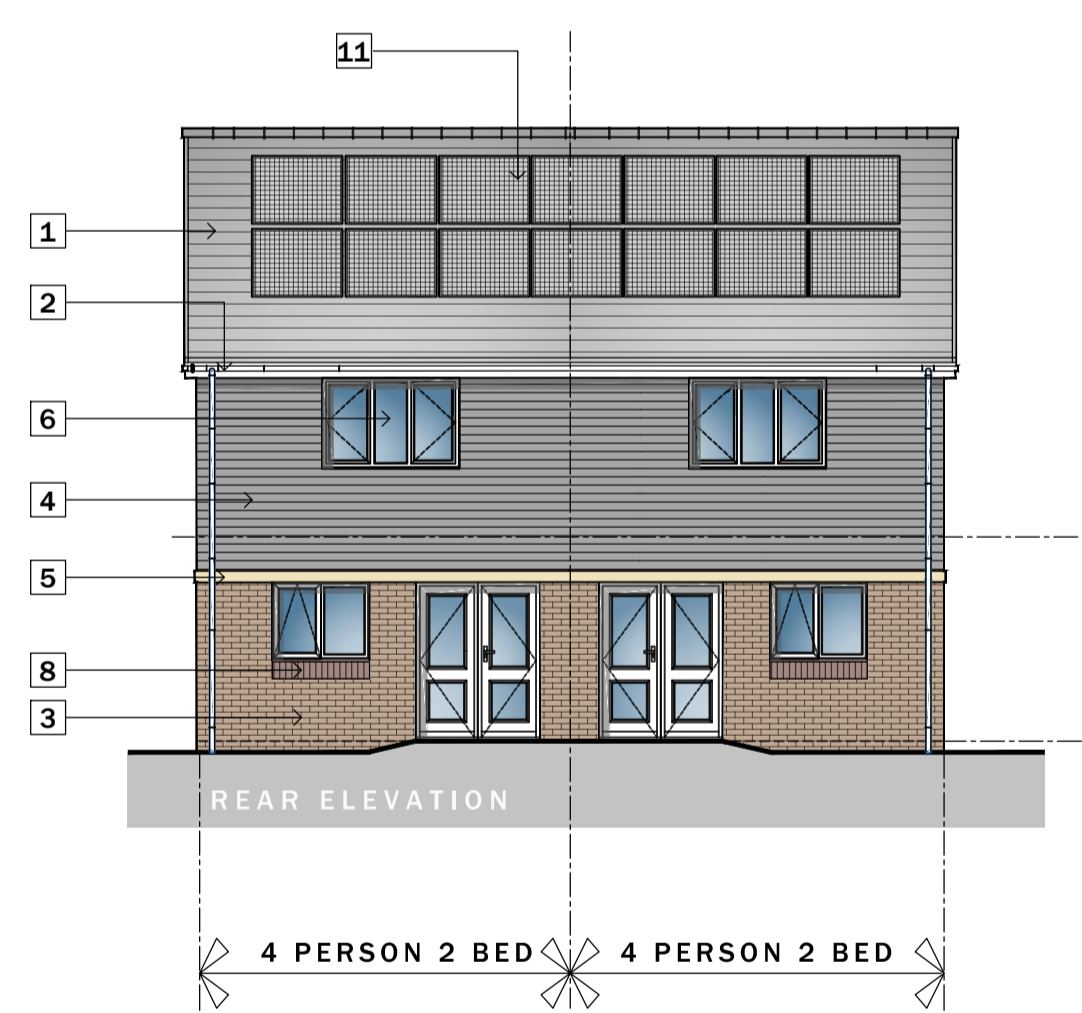
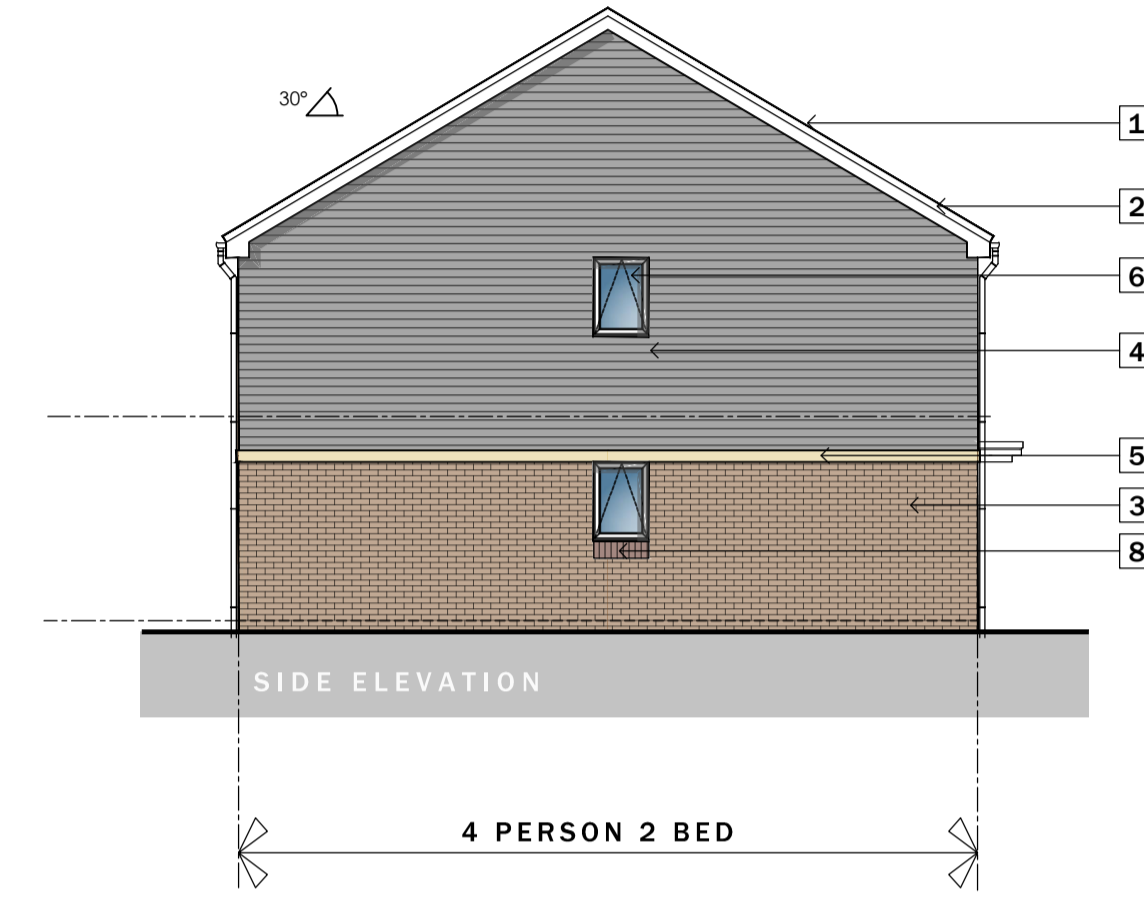
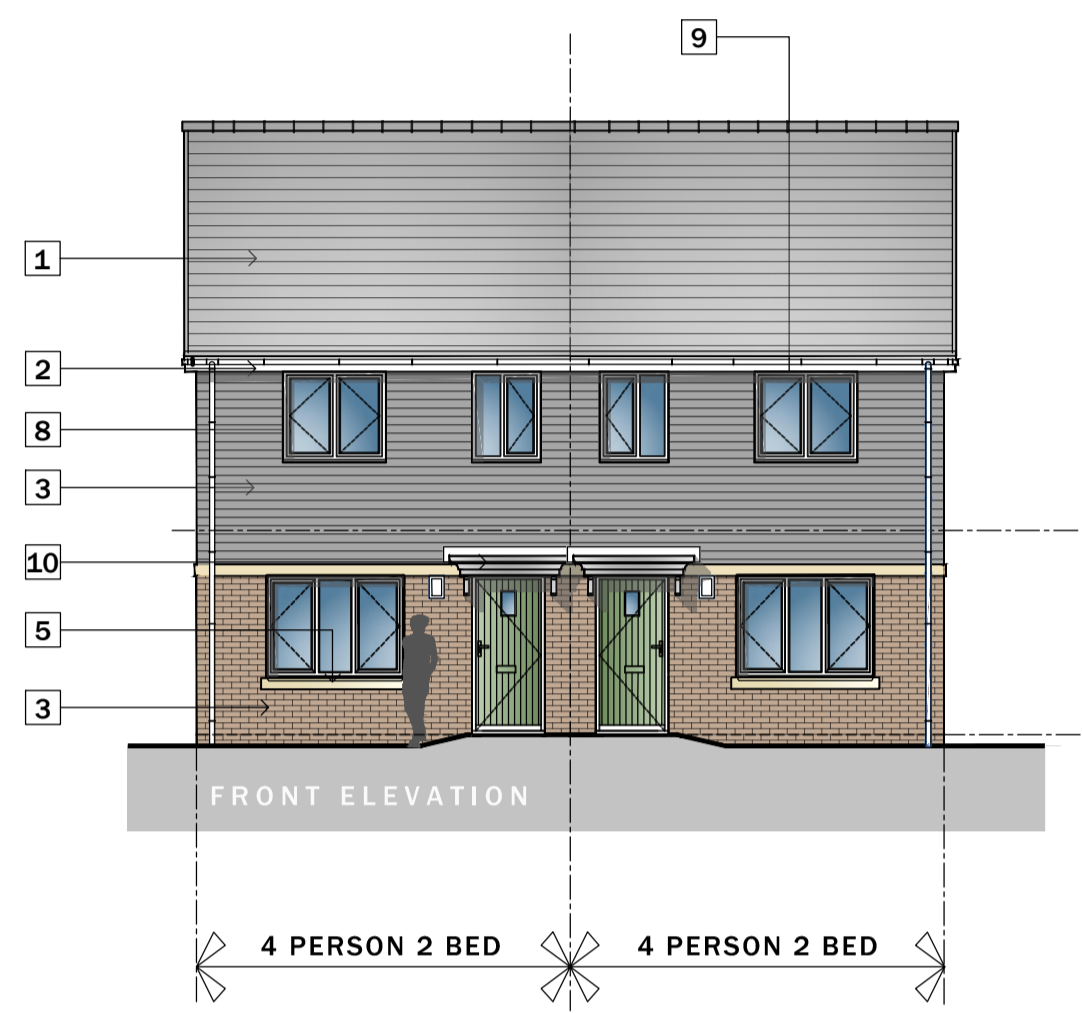
TOTAL STORAGE PROVIDED - 4.59M²

TOTAL STORAGE REQUIRED - 2.5M²

TOTAL STORAGE EXCESS - 2.09M²

PLOTS 3 - 4
4P 2B HOUSES
Scale 1:100

SCALE 1:100



ELEVATION KEY

- | | | | |
|---|--|----|---|
| 1 | GREY CONCRETE TILE WITH MATCHING RIDGE. | 8 | DARK RED FACING BRICKWORK SOLDIER COURSE CILLS TO REAR ELEVATIONS. |
| 2 | WHITE UPVC FASCIAS, SOFFITES & BARGEBOARDS WITH BLACK RAINWATER GOODS. | 9 | SMOOTH TRUH' COLOUR OFF WHITE RENDER SYSTEM |
| 3 | RED MULTI CLAY FACING BRICKWORK. | 10 | GRP PORCH CANOPY OVER |
| 4 | FIBRE CEMENT BOARD LAID HORIZONTALLY - COLOUR TO BE AGREED | 11 | PV PANELS (EXACT LOCATIONS DEPENDANT) |
| 5 | RECON STONE BAND COURSE | 12 | SBD COMPLIANT GRP DOOR SETS - VARYING COLOURS THROUGH DEVELOPMENT |
| 6 | SBD GOLD STANDARD WHITE UPVC WINDOWS AND DOOR SETS | 13 | GALVANISED STEEL BALCONY SYSTEM WITH STEEL RAILINGS - ALL PAINTED WHITE |
| 7 | RECON STONE CILLS TO FRONT AND KEY SIDE ELEVATIONS. | 14 | BUFF COLOURED BANDING IN STRETCHER COURSE |

Do not scale from this drawing. The users of this drawing shall check all dimensions & report all errors and omissions to LeTrucco Design. This drawing is copyright. It must not be copied, used or disclosed to third parties without prior permission of LeTrucco Design.

Revisions
 REV. A FEB 25
 PLANS UPDATED TO SUIT WAG COMMENTS

Client	Drawing No	Scale	Revision
Willis Construction for Melin	LT2401.04.101	1:100 @ A1	A
Job Title	Drawing Title	Date	Checked
Open Hearth, Ringland	Plans & Elev's - PLOTS 3 - 4	Oct '24	kml

FORMER OPEN HEARTH PUB, NEWPORT
PLANS & ELEVATIONS - PLOTS 3 - 4



Suite 7, 35 Stow Park Circle
 Newport, NP20 4HF

Tel: 07710390800 / 07710390801
 info@letruccodesign.co.uk
 www.letruccodesign.co.uk