

SECOND FLOOR PLAN

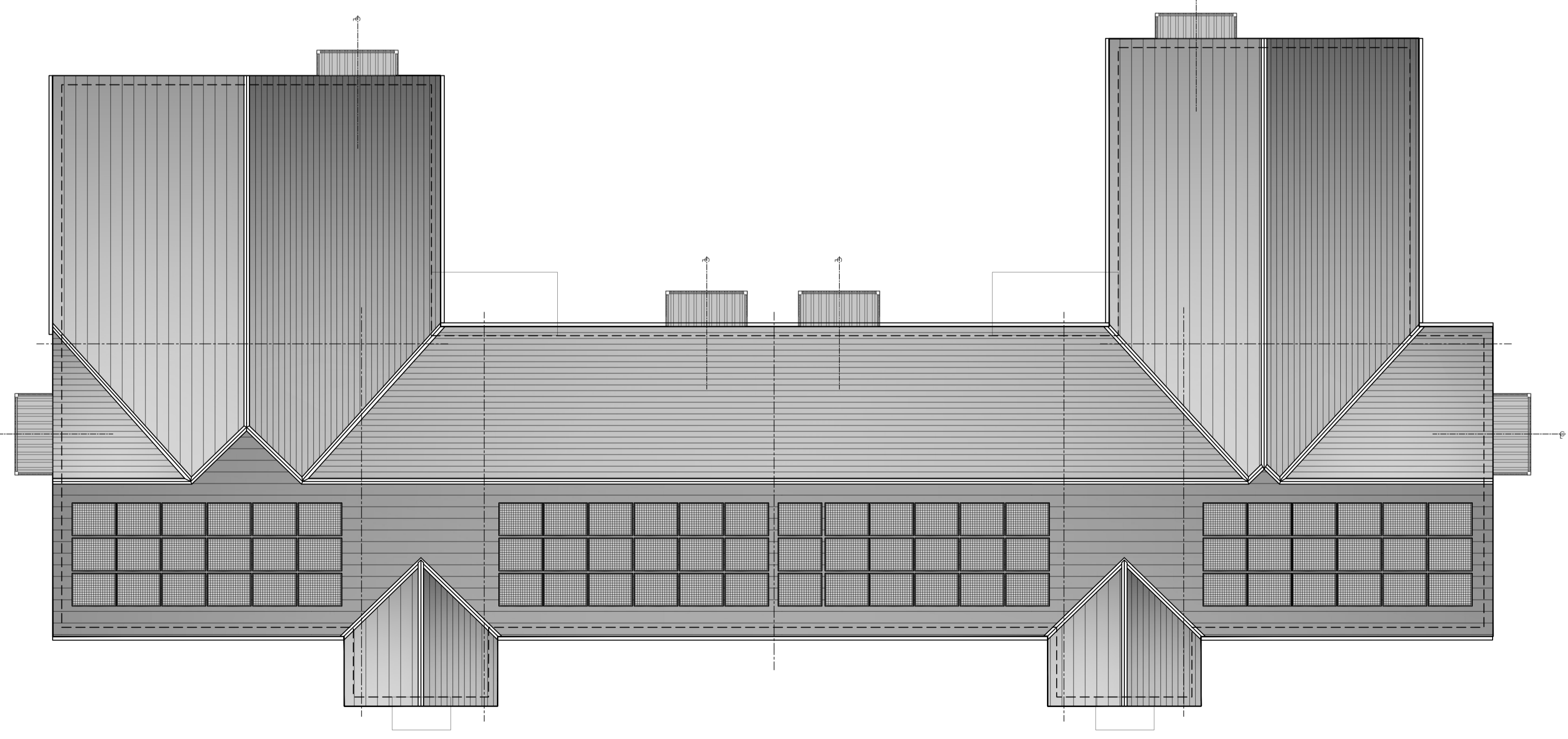
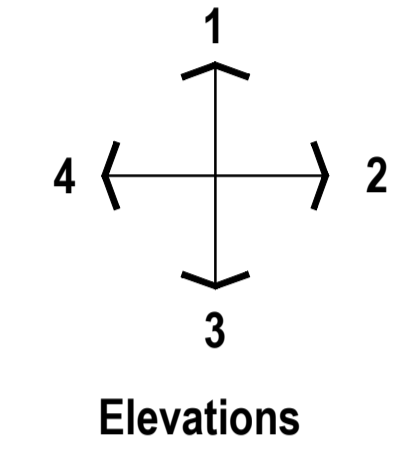
ALL BATHS ARE TO BE EQUIPPED WITH OVER-BATH SHOWERS

PLOT SCHEDULE - 15 - 32

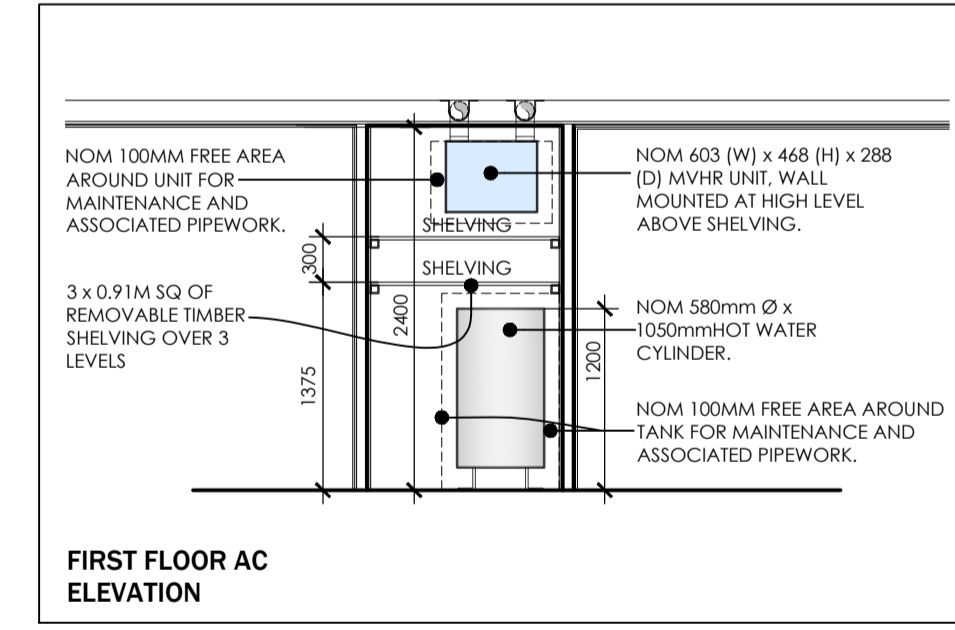
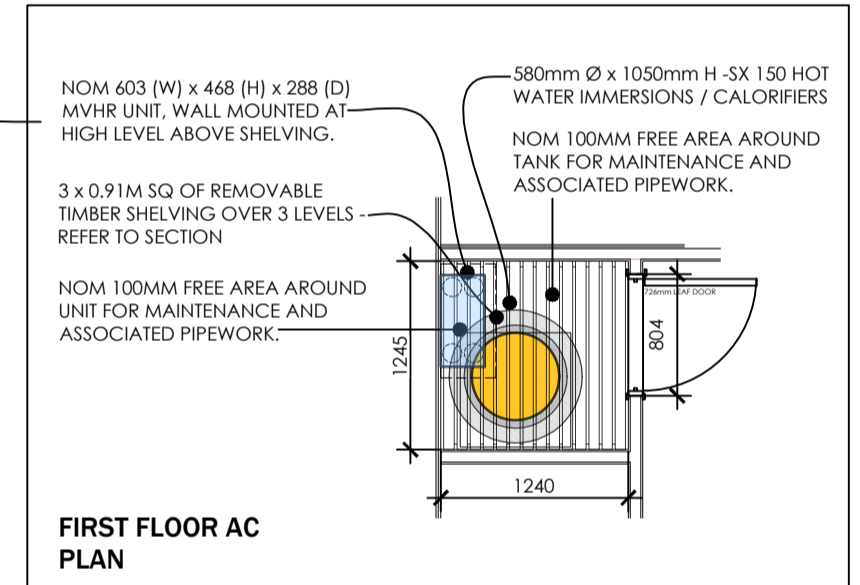
2 PERSON 1 BEDROOM FLAT TYPE	- 15
3 PERSON 2 BEDROOM FLAT TYPE	- 3
TOTAL	- 18

SCHEDULE OF ACCOMMODATION AREAS

PLOT No.	TYPE	GIA M ²
15	3P 2B FLAT	60.8M ²
16	2P 1B FLAT	54.7M ²
17	2P 1B FLAT	54.7M ²
18	2P 1B FLAT	54.7M ²
19	2P 1B FLAT	54.7M ²
20	2P 1B FLAT	54.1M ²
21	3P 2B FLAT	60.8M ²
22	2P 1B FLAT	54.7M ²
23	2P 1B FLAT	54.7M ²
24	3P 2B FLAT	54.7M ²
25	2P 1B FLAT	54.7M ²
26	2P 1B FLAT	54.1M ²
27	2P 1B FLAT	60.8M ²
28	3P 2B FLAT	54.7M ²
29	2P 1B FLAT	54.7M ²
30	2P 1B FLAT	54.7M ²
31	2P 1B FLAT	54.7M ²
32	2P 1B FLAT	54.1M ²



ROOF PLAN

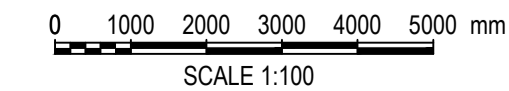


Do not scale from this drawing. The user of this drawing shall check all dimensions & report all errors and omissions to LeTrucco Design. This drawing is copyright. It must not be copied, used or disclosed to third parties without prior permission of LeTrucco Design.

Revisions
 REV. A OCT 24 WINDOWS TO RIGHT OF REAR ELEVATION INDICATED AS FROSTED AND NON-OPENABLE.
 REV. B FEB 25 REVISED TO SUIT W&G COMMENTS. AIRING CURTAIN REVALS ADDED.

Client	Willis Construction for Melin
Job Title	Open Hearth, Ringland
Drawing No	LT2401.04.301
Drawing Title	2nd Floor+Roof - PLOTS 15-32
Scale	1:100 @ A1
Date	Oct '24
Revision	B
Checked	kmf

PLOTS 15 - 32
 3P 2B + 2P 1B FLATS
 Scale 1:100



**FORMER OPEN HEARTH PUB, NEWPORT
 SECOND & ROOF PLANS**

Drawing Purpose
 PLANNING