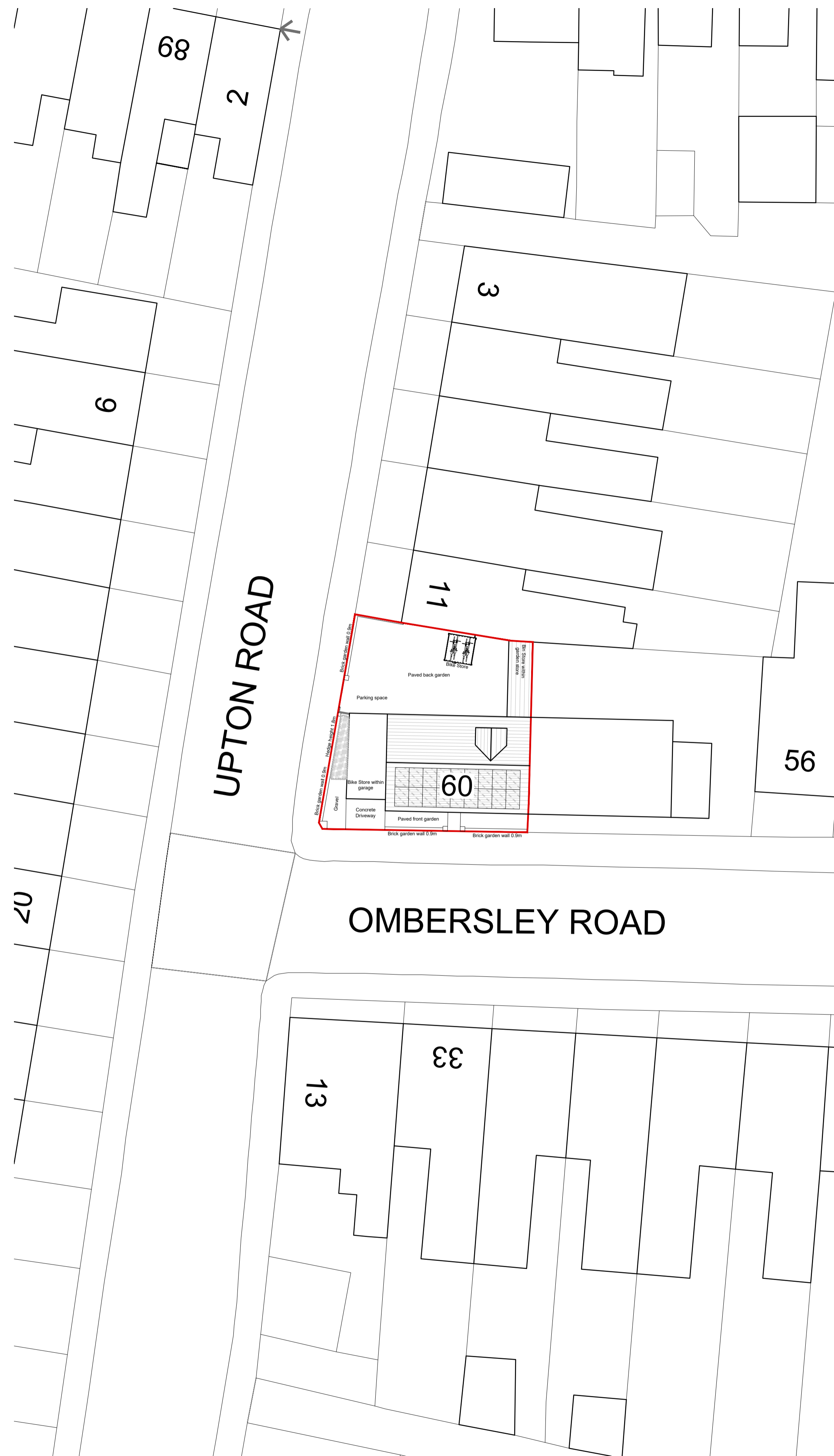
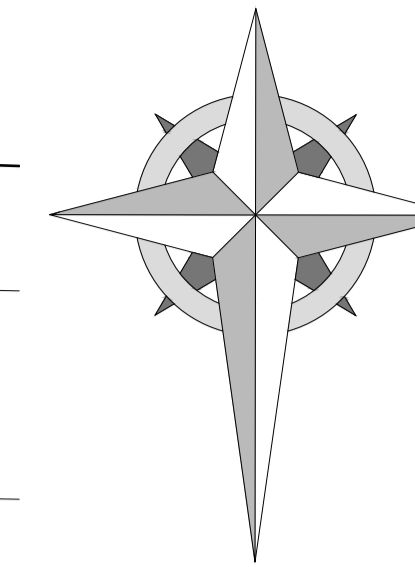


Existing Block Plan

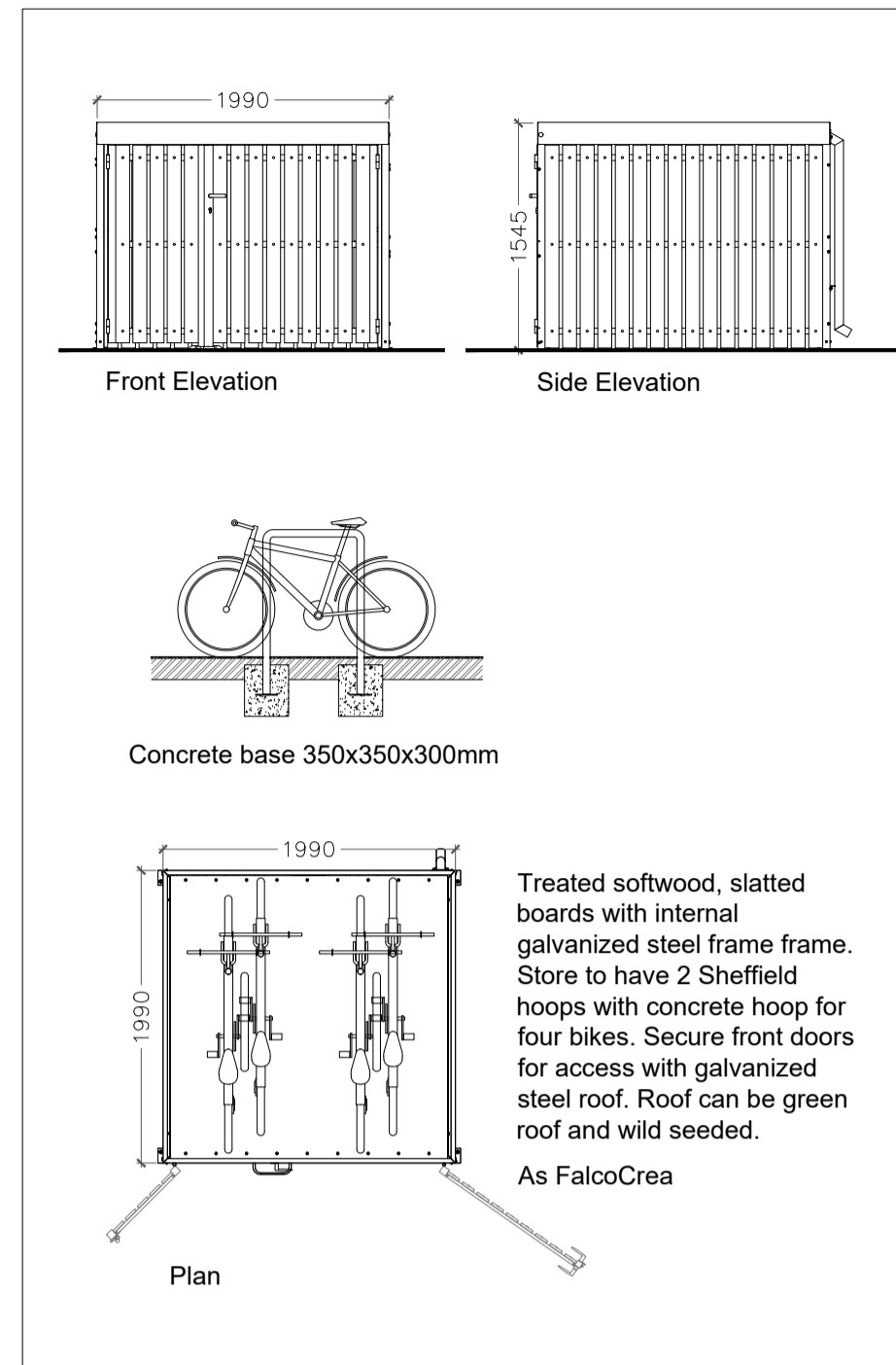


Proposed Block Plan

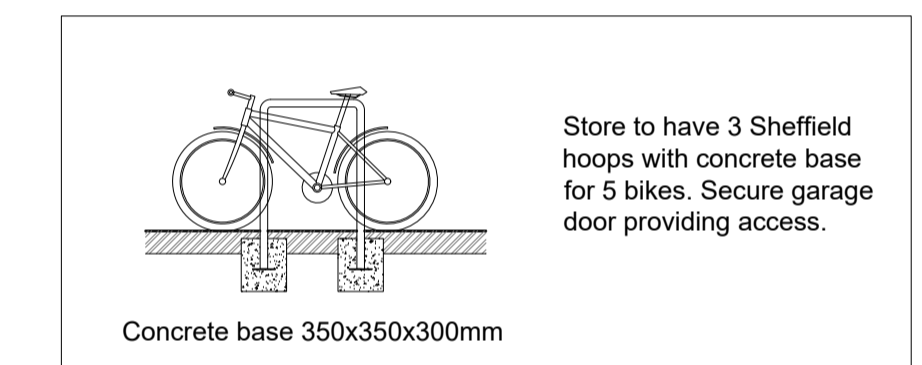
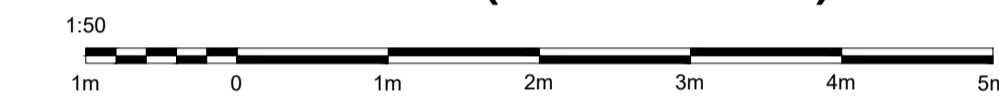
NORTH



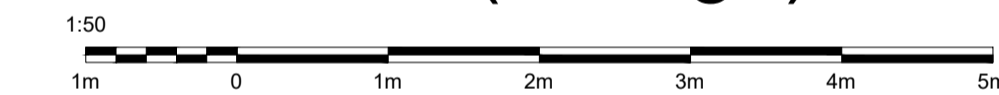
design 36  
 The contractor shall be responsible for the setting out and checking of all dimensions on drawings and on site. Contractors are not to scale from drawings. For planning applications these drawings can be scaled from. Copyright



Bike Store (External)



Bike Store (Garage)



Existing garden store to have treated softwood shelving installed to become bin store. Bin store for 2No 25 litre organic waste bin, recycling sacks equivalent to 240 litre, 240l wheeled bin.

Bin Store

PROJECT:  
 60 Ombersley Road

TITLE:  
 Existing & Proposed Block Plans

SCALE: DATE: DRAWN BY:  
 1:200@A1 Nov 2024 JM

DRAWING NUMBER: REVISION:  
 4336.PL.02 D

