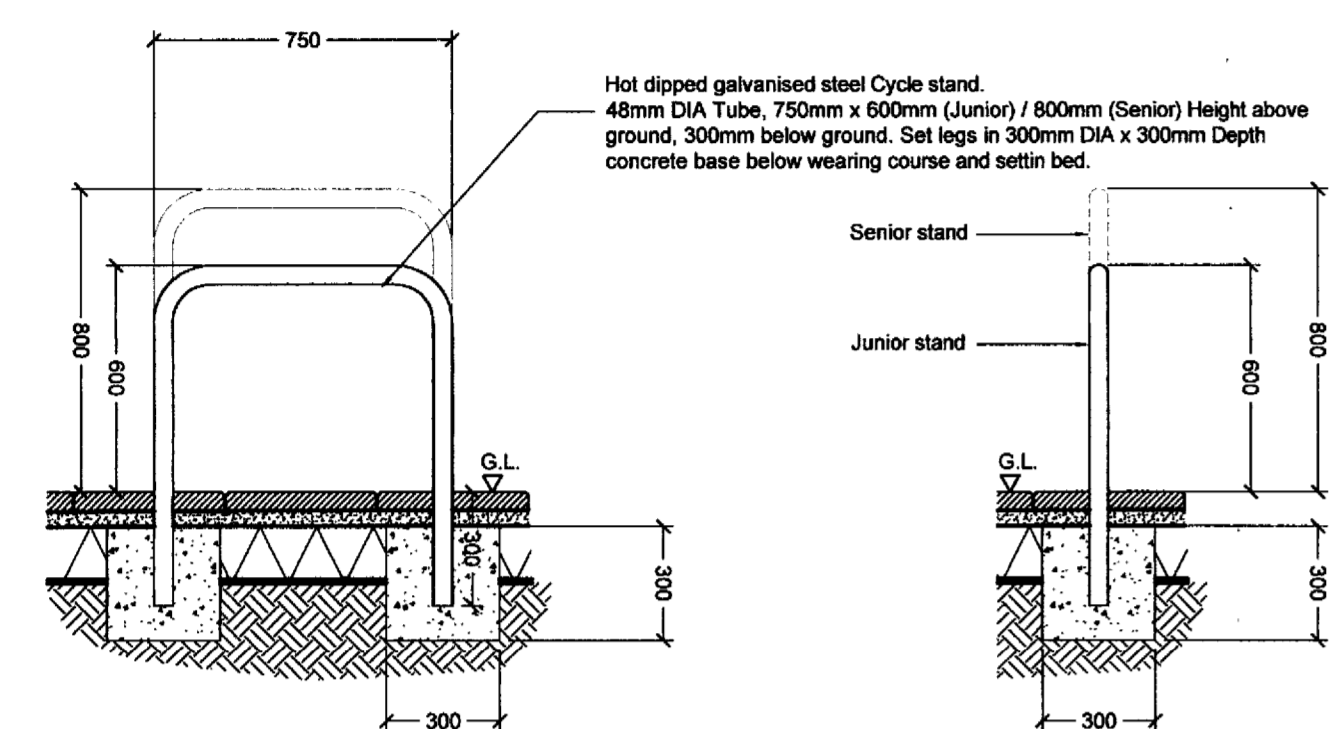


This 'As Built' drawing has been produced based on information provided by Norwest Holst Construction Ltd

DO NOT SCALE

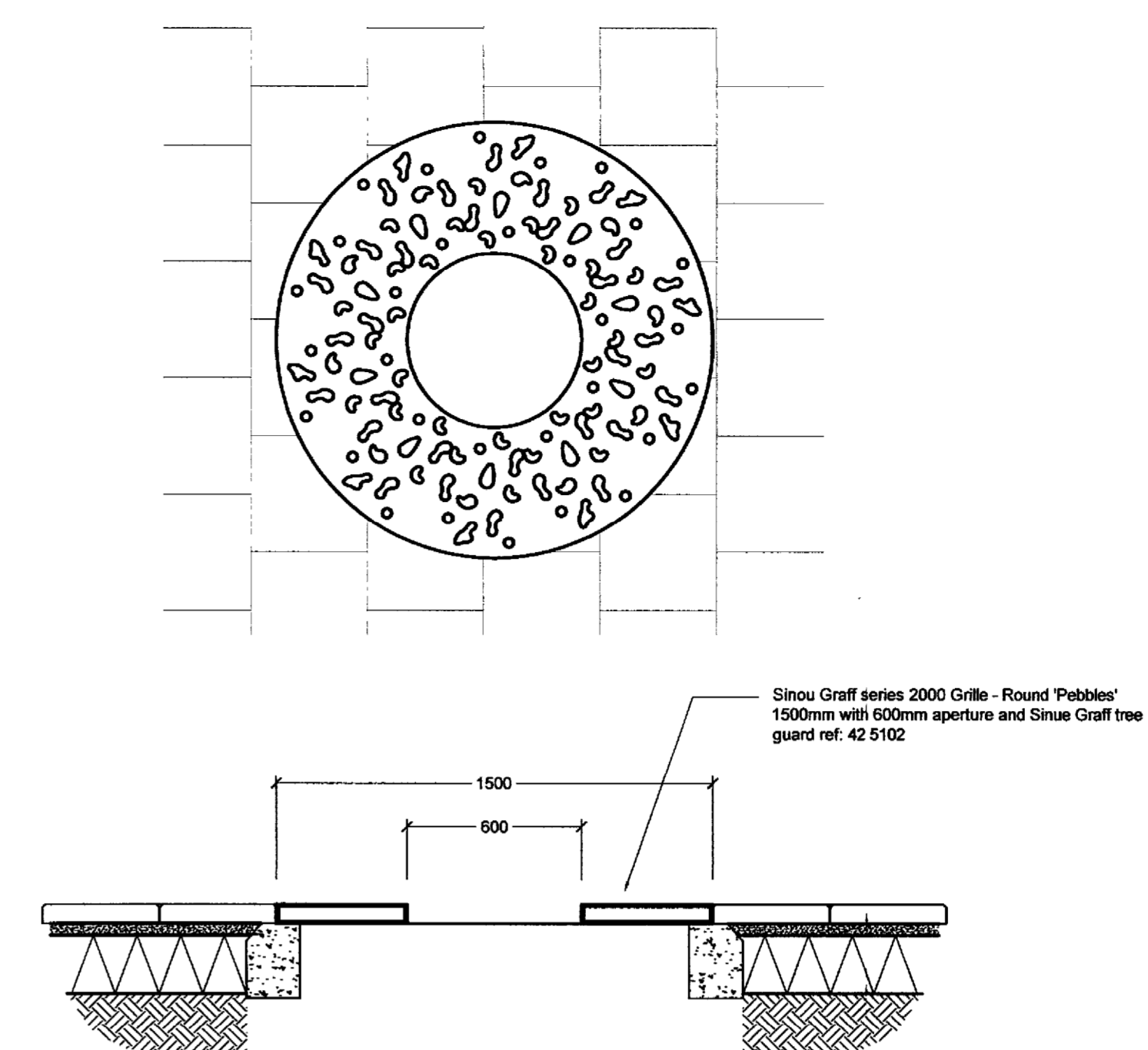
ATKINS



Manufacturer: Langley Design
Product Reference: Malford Cycle Rack MCR 200
Refer to NBS clause Q50/210

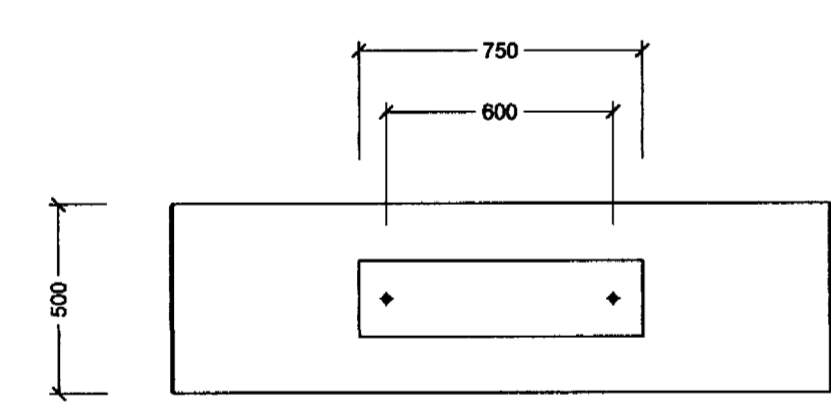
DETAIL 1 - CYCLE STAND
SCALE 1:20

DETAIL 2 - OMITTED

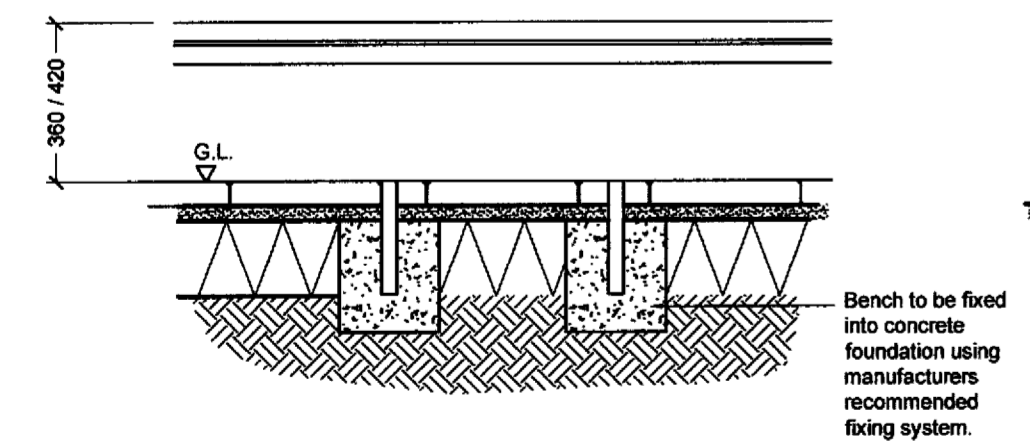


Manufacturer: Marshalls
Product Reference: Series 2000 Grille 'Round Pebbles'
Refer to NBS clause Q50/260

DETAIL 3 - TREE GRILLE
SCALE 1:20

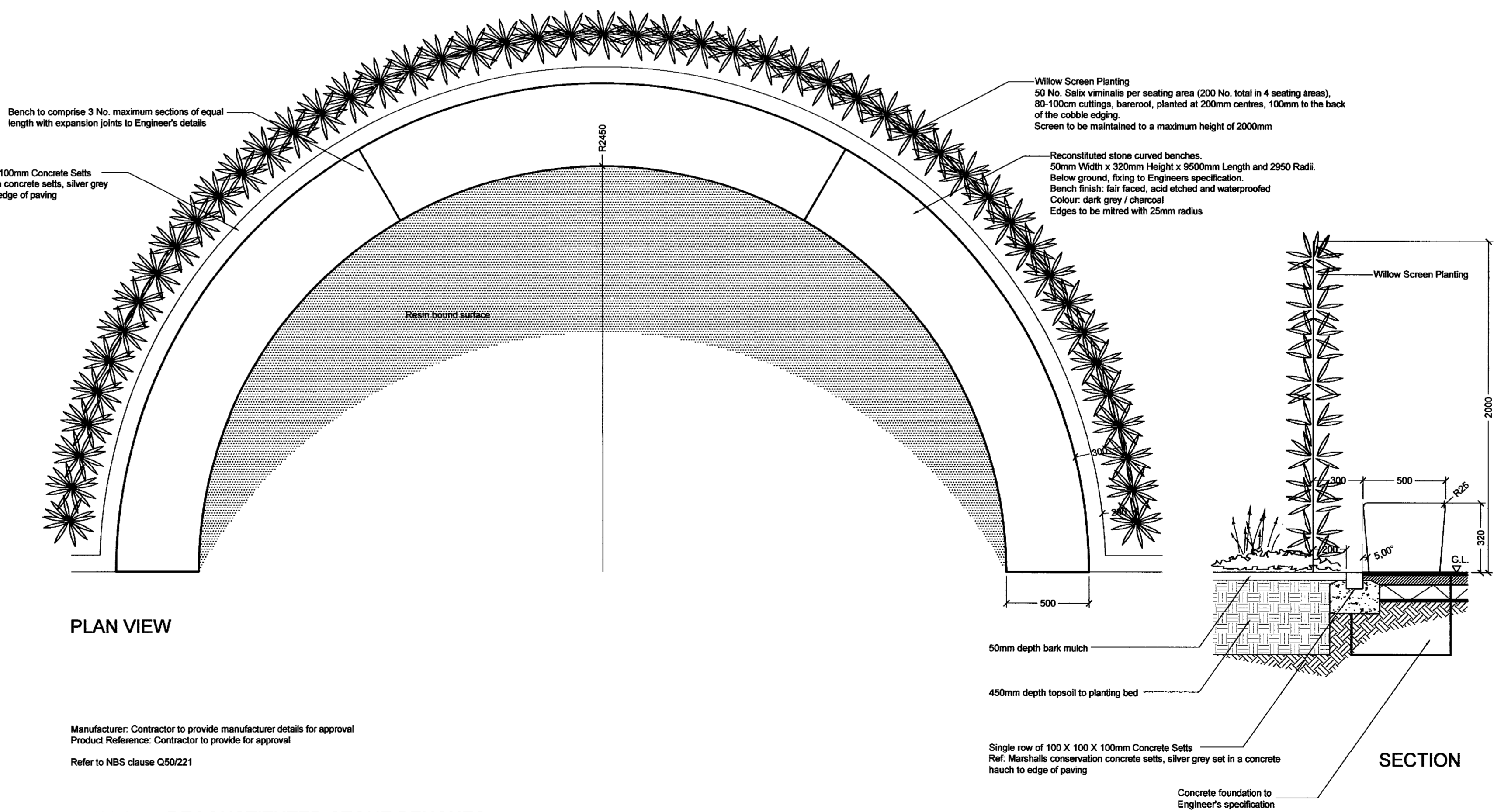


Bench height varies depending on location:
360mm high to Junior Play Area
420mm high to Covered Student Waiting Point



Manufacturer: Escofel, Supplied by Woodhouse UK Plc
Product Reference: BS-1
Refer to NBS clause Q50/220

DETAIL 4 - CAST STONE BENCHES
SCALE 1:20



Manufacturer: Contractor to provide manufacturer details for approval
Product Reference: Contractor to provide for approval
Refer to NBS clause Q50/221

DETAIL 5 - RECONSTITUTED STONE BENCHES
SCALE 1:20

Rev	Description	By	Date	CHK'd	Auth
D	AS BUILT ISSUE Amendments to as built conditions: Litter bin detail (DETAIL 2) omitted	AL	28/10/09	NR	NR
C	Bench heights amended as per Authority instruction, senior / junior cycle rack detail added, reference to tree guard added	AL	01/07/09	NR	NR
A	Planting quantity amended	AL	17/11/08	NR	NR
Rev	Purpose of issue	Date	Authorised		

VINCI

NORWEST HOLST

WS Atkins Consultants Limited
Design, Environment & Engineering
160 Aztec West, Almondsbury, Bristol. BS32 4TU.
Tel. 01454 201400 / Fax. 01454 201568

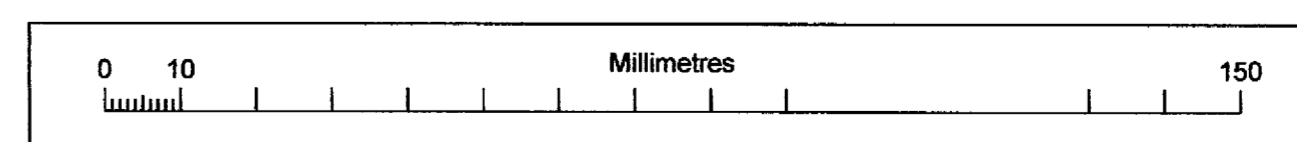
Project
Glebelands Development
St Julians
Newport

Title
Glan Usk School
AS BUILT
Site Furniture Details

Original Scale	Drawn	Checked	Authorised
Var.	AHL	NR	NR
Date	20/08/08	Date	17/11/08
Date	17/11/08	Date	17/11/08

Drawing Number
5041855 / LA / 4923

Rev
D



A1