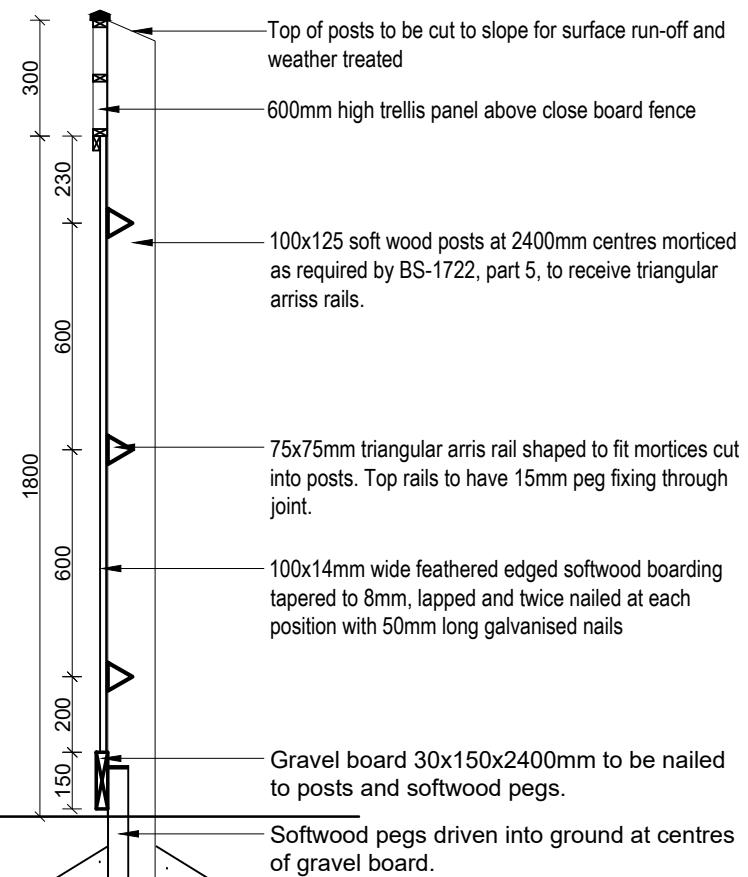
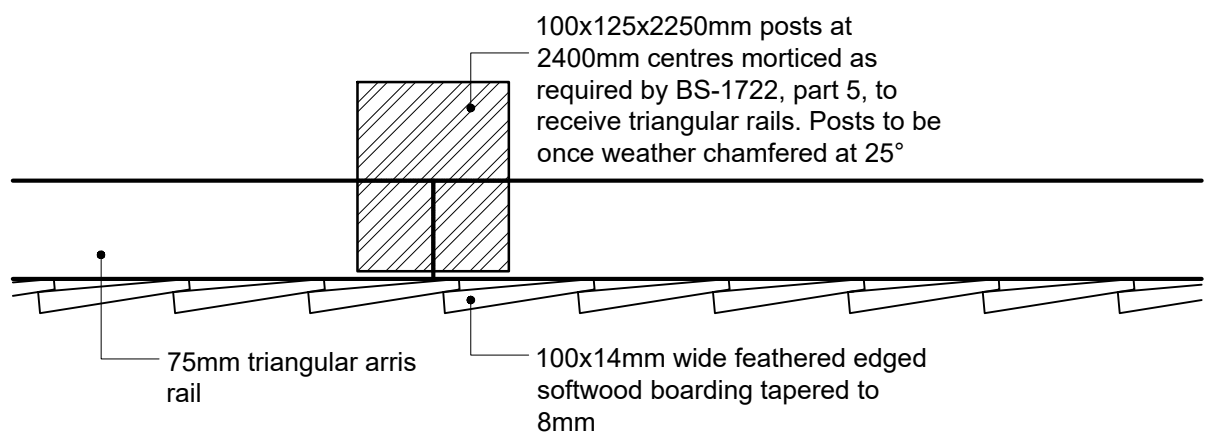


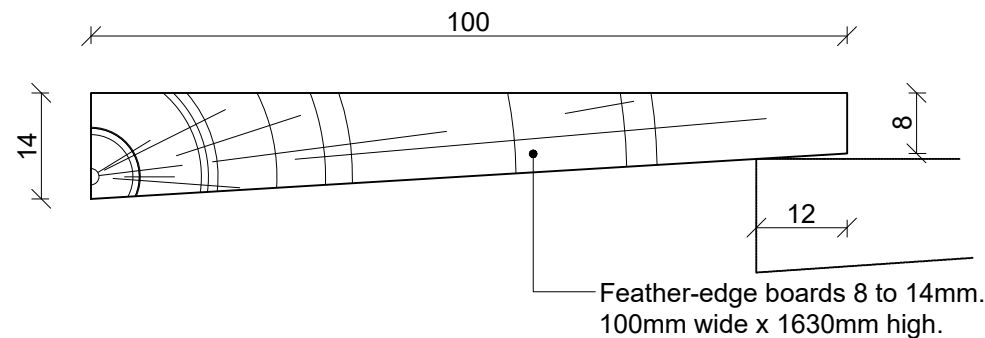
Elevation



Section A-A



Section Detail



NOTES

Posts to be set in holes 300 x 300 x 600 or 800 or 750mm deep and bedded in weak concrete for half their depth below ground level, and remaining depth to be filled with rammed earth.

Posts should be weathered approx. 30 degrees from the horizontal leaving a flat approx. 38mm wide.

Boards should be minimum 100mm wide x 14mm to 8mm nailed to each rail and should lap 12mm min.

Nails: Galv. nails should be used throughout to avoid rust staining on the timber.

Posts to be softwood and to be pretreated with preservative.

Boarding to be softwood pretreated with preservative.

Posts and Fence in accordance with B.S. 1722 pt 5.

Close board fence and all components to comply with bs 1722, part 5. All timber to be preserved in accordance with BS 5589 (Category B).

REV.	DESCRIPTION	DATE
------	-------------	------

CLIENT

Engie Group

DRAWING TITLE

External Details
1800mm Close Board Fence & Trellis

SCALE	DATE	DRAWN BY
1:20/1:5@A3	May '22	HA Ltd

DRAWING NO.	REVISION	TYPE
1839-D05		PLN



10 Gold Tops
Newport
NP20 4PH
t. 01633 844970
e. info@hammond-ltd.co.uk

www.hammond-ltd.co.uk