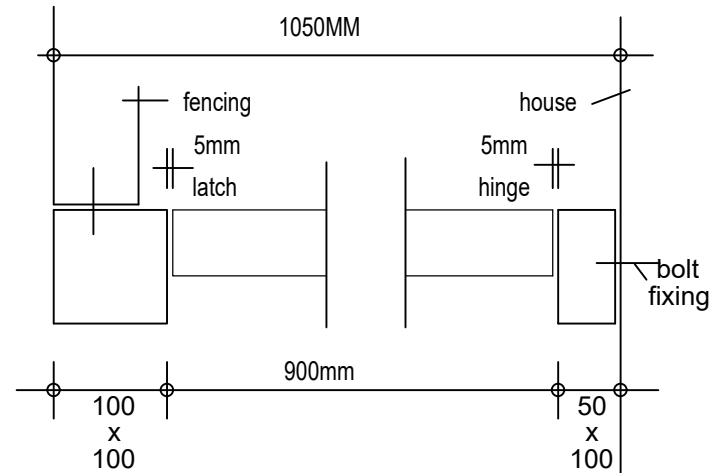
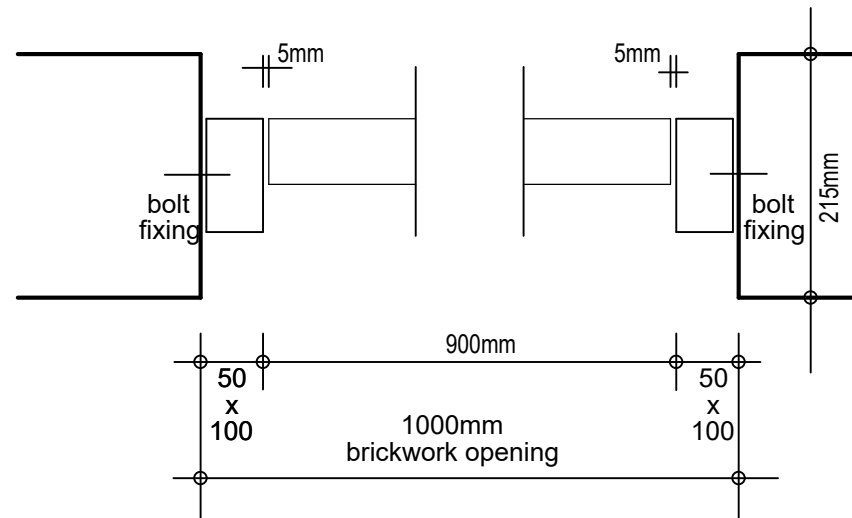


**CLOSE BOARD GATE**



**PLAN DETAIL 01**



**PLAN DETAIL 02**

REV.	DESCRIPTION	DATE
CLIENT		
Engie Group		
DRAWING TITLE		
External Details		
1800mm close board gate		
SCALE	DATE	DRAWN BY
1:20@A4	March '19	HA Ltd
DRAWING NO.	REVISION	TYPE
1839-D04		PLN



10 Gold Tops  
Newport NP20 4PH  
t. 01633 844970  
e. info@hammond-ltd.co.uk

[www.hammond-ltd.co.uk](http://www.hammond-ltd.co.uk)

© Hammond Architectural Limited 2017  
Figured dimensions must be taken in preference to scaled dimensions and any discrepancies are to be referred to Hammond Architectural Ltd. Contractors, subcontractors and suppliers must verify all dimensions on site before commencing any work or making any workshop drawings.